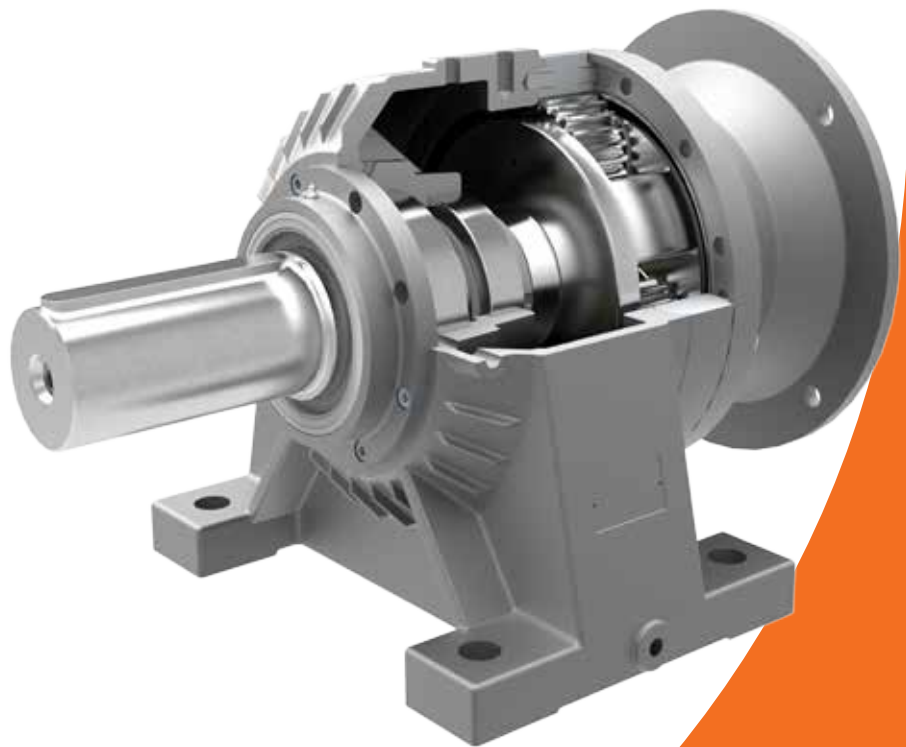


radicon 

with you at every turn

Series P Planetary Gear Units



Series P
BP-1.00GBR-0415

PRODUCT INFORMATION

The Series P range of planetary gear units is designed to meet the requirements of the most demanding applications in the medium and heavy duty sectors of the power transmission market.

Available in 10 sizes, this modular design allows for quick assembly to the customers chosen configurations. Available inline and right angle with a choice of foot mounted or flange mounted case designs. Each unit is also available with various output options, solid keyed, solid splined, hollow splined & hollow shrink disc.

The range takes advantage of our many years of accumulated design expertise, together with the use of high quality materials and components, the end result is a high quality series of planetary gear reducers and geared motors offering a high load carrying capacity, high efficiency, quiet running and reliable drive solution.

Unit Sizes

1,2,3,5,8,12,16,25,40,65

Types

Inline: Single, Double, Triple and Quadruple reduction

Right angle shaft: Double, Triple and Quadruple reduction

Input Power

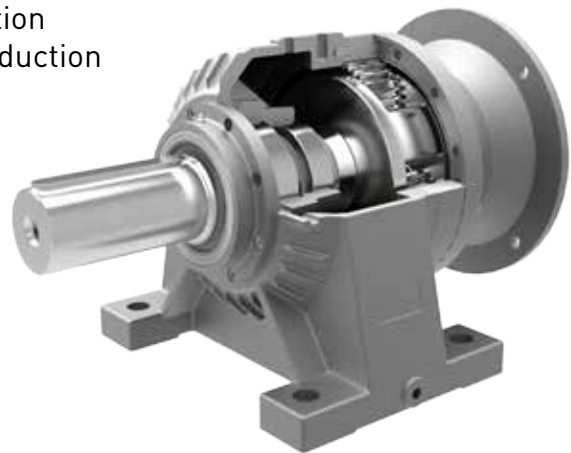
Up to 90 kW

Output Torque

Up to 65,000 Nm

Gear ratios

3.6/1 to 2500/1 in multistage



FEATURES

Modular design

Available in kits

Standard motor connection

Interchangeable

Atex compliant

BENEFITS

Reduces part count

Easy to stock and assemble locally

Allows any brand of IEC motor to be fitted, including, Atex and Ex, single phase etc.

Can be supplied as drop-in replacements for many European manufacturers

Can be supplied against group 2 or 3 for surface industries in designated hazardous locations, zones 1 & 2 for gases, vapors and mist, zones 21 & 22 for dust.

Intelligent Design

The Series P has been designed using the latest software, giving a tooth geometry which combines maximum efficiency with high load carrying capacity and minimal noise generation. Flexibility and ease of stocking was at the forefront of our thoughts in the design guaranteeing durability, reliability and availability.

Interchangeability

The Series P has been designed to be directly interchangeable with many of the leading brands.

Input Options

Available to suit standard IEC frame motors, or with an input shaft assembly.

Case options

Cases are cast iron as standard and available in either foot or flange mount variants.

Output options

Available with Keyed or splined solid shaft, internal spline or suitable for mounting with a shrink disc.



Typical Applications and Industries

Applications

Conveyors
Crushers
Cranes
Aerators
Mixers
Test Rig
Winches
Pumps
Grinders

Industries

Cement
Mining
Harbours and Ports
Quarrying
Power Generation
Petrochemical
Steel
Pulp & Paper
Food & Beverage

Radicon believes in engineering quality relationships with our customers that strengthen what we can achieve together. Our business and the people within our business are committed to building long lasting partnerships that are as reliable as our products and as smooth as our service.

Radicon and sister company Benzlers are now part of Elecon Engineering, Asia's largest and fastest growing gear manufacturer. This partnership means that we can offer our customers an enhanced range of standard and bespoke engineering solutions including drop in replacements, all supplied with the product quality and engineering expertise demanded from and delivered by the Radicon business.

Radicon - with you at every turn

benzlers 

radicon 

Benzlers

Denmark +45 36 340300

Finland +358 9 3401716

Germany +49 800 350 4000

Italy +39 02 8243511

Sweden +46 42 186800

The Netherlands +31 77 3245900

www.benzlers.com

Radicon

Thailand +66 3845 9044

United Kingdom +44 1484465800

USA +1 847 5939910

www.radicon.com